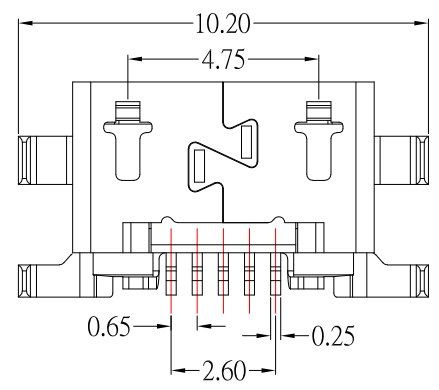
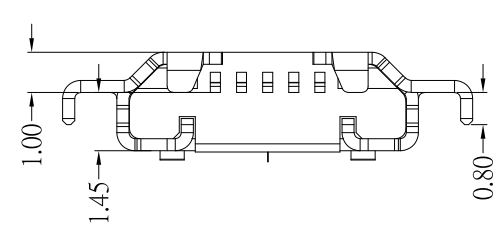
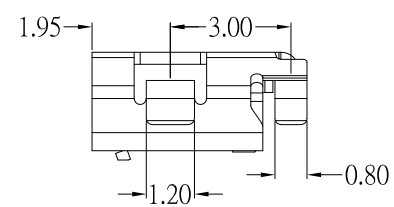
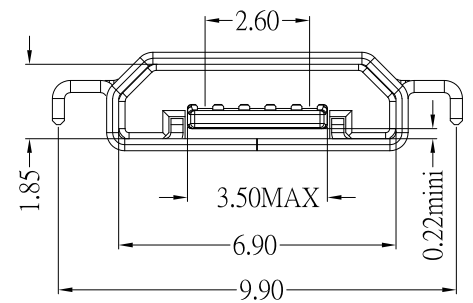
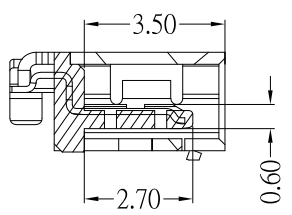


P.C.B LAYOUT MOUNTING PATTERN



NOTES:

1.MATERIAL:

- 1.1 HOUSING: PA9T,BLACK
- 1.2 CONTACT: PHOSPHOR BRONZE
- 1.3 SHELL: SUS

2.Finish:

- 2.1 CONTACT: PLATED GOLD IN MATING AREA ;
TIN PLATED ON SOLDER BALLS ;
NICKEL UNDER PLATED OVERALL
- 2.2 SHELL: TIN UNDER PLATED SURFACE LAYER

3.SPECIFICATION:

- 3.1 CURRENT RATING: 1.8 A MAX(PIN 1 & 5)
1.0 A MAX(PIN 2 & 3 & 4)
- 3.2 VOLTAGE RATING: 100V AC
- 3.3 CONTACT RESISTANCE: 30 mΩ MAX.
- 3.4 INSULATION RESISTANCE: 100 MΩ MIN.
- 3.5 TEMPERATURE RANGE: -30°C ~ +80°C



1	更新樣式	Jack	123022
ITEM NO.	DESCRIPTION	DRAWN	DATE

TOLERANCE UNLESS OTHERWISE STATED :	Up to 5 ±0.2 Above 5 ~ 15 ±0.3 Above 15 ~ 30 ±0.4 Above 30 ~ 50 ±0.5 Angle ±0.3°	3RD. ANGEL'S		UNITS	MM
-------------------------------------	--	--------------	--	-------	----

DRAWN BY:	DATE	MAT'L	TITLE	CONNECTOR
Jack Lu	12/30/22			
CHECKED BY:	DATE	FINISH	MODLE	MICRO USB 反向沉板無捲邊 外殼霧錫
Jacky Chen	12/30/22			
APPROVED BY:	DATE	SCALE	DWG NO.	MRUSB-5B-M12RV-S347
Tony Kao	12/30/22	1 : 1	PART NO.	MRUSB-5B-M12RV-S347
		SHEET NO.	1 of 1	
				SIZE A4
				VER R1